

More than a simple cassette.
A smart Guided Surgery solution.

Basic Guided Surgery Cassette

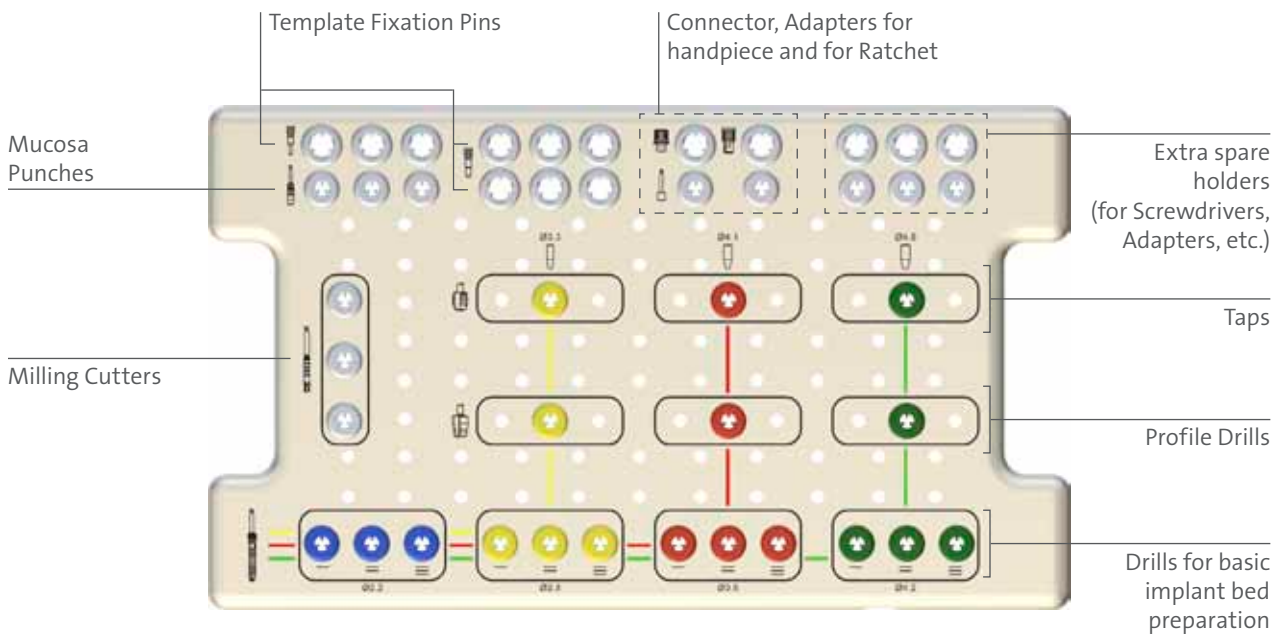
The Straumann® Basic Guided Surgery Cassette has been designed to simplify the guided surgery procedure for clinicians working with one preferred Straumann implant line. No matter which implant line is used, the cassette can hold all the necessary instruments for the basic and fine guided implant bed preparation as well as the required auxiliaries (e.g. ratchet, screwdrivers and adapters).

Simple and versatile

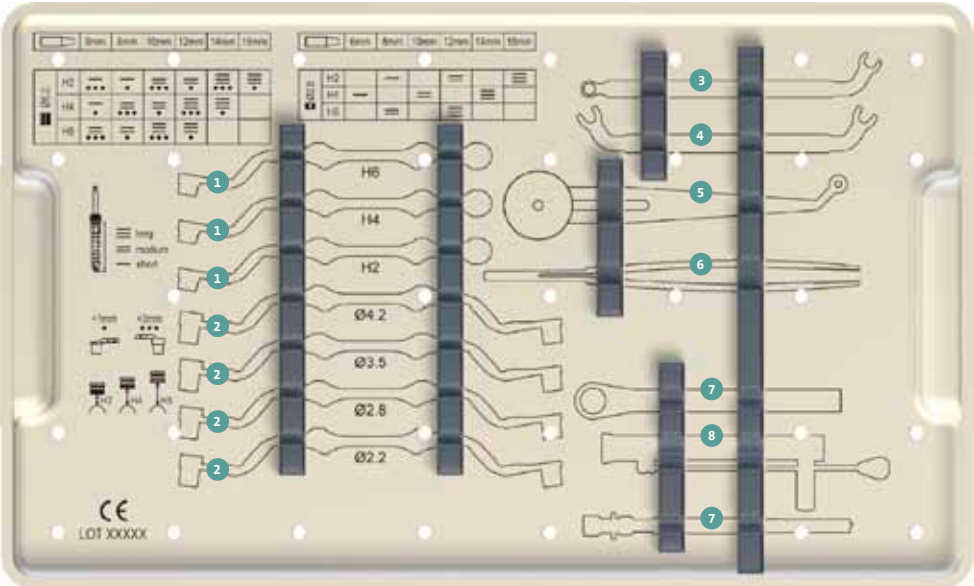
- Works with any Straumann implant line, e.g. BLT, BL, SP, S, TE
- Clear and simple layout for easy navigation through the surgical procedure

The Straumann® Basic Guided Surgery Cassette consists of the upper tray, the lower tray and the lid.

Upper tray



Lower tray



- ① C-Handles
- ② Drill Handles
- ③ Holding Key
- ④ Stop Key
- ⑤ Distance Indicator
- ⑥ Tweezers
- ⑦ Ratchet
- ⑧ Torque Control for Ratchet

Upper tray set-ups

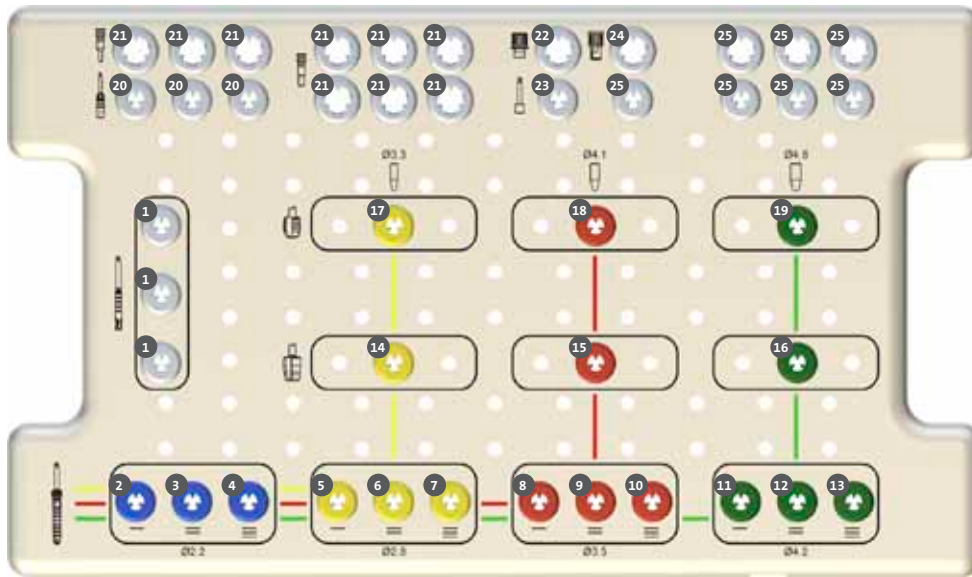
The upper tray of the Straumann® Basic Guided Surgery Cassette can be set-up with any particular Straumann implant line. Based on the recommended guided surgery procedure, drills for basic implant bed preparation, profile drills, and taps should be placed into corresponding instrument holders of the cassette.

Note: For detailed information on the instruments and their use in specific implant procedures, you must consult the following brochures:

- Basic Information on Straumann® Guided Surgery, NAMLIT 1006
- Basic Information on the Surgical Procedures – Straumann® Dental Implant System, NAMLIT 1017
- Basic Information on the Surgical Procedures – Straumann® Bone Level Tapered Implant, NAMLIT 1043
- Basic Information on the Surgical and Prosthetic Procedures – Straumann® PURE Ceramic Implant, NAMLIT 1099
- Care and Maintenance of Surgical and Prosthetic Instruments, NAMLIT 1055
- Basic Information on Screw-retained Hybrid Restorations, NAMLIT 1024
- Guidance for Implant Removal, USLIT 426 in the US and 152.806 (English) or 153.806 (French) in Canada

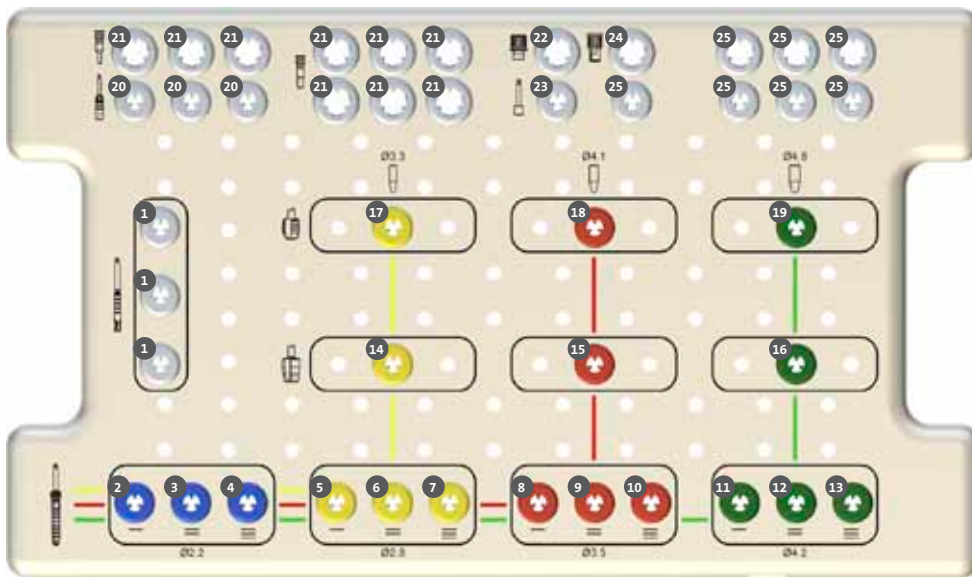
On the following pages, examples of possible cassette set-ups are illustrated.

Set-up for Bone Level Tapered (BLT) Implant Line



No.	Article	Art. No.								
1	Milling Cutter, guided	<table border="1"> <tr> <td>Ø2.8 mm</td> <td>034.215</td> </tr> <tr> <td>Ø3.5 mm</td> <td>034.415</td> </tr> <tr> <td>Ø4.2 mm</td> <td>034.615</td> </tr> </table>	Ø2.8 mm	034.215	Ø3.5 mm	034.415	Ø4.2 mm	034.615		
Ø2.8 mm	034.215									
Ø3.5 mm	034.415									
Ø4.2 mm	034.615									
2	BLT Pilot Drill Ø2.2 mm, short, guided	034.257								
3	BLT Pilot Drill Ø2.2 mm, medium, guided	034.258								
4	BLT Pilot Drill Ø2.2 mm, long, guided	034.259								
5	BLT Drill Ø2.8 mm, short, guided	034.260								
6	BLT Drill Ø2.8 mm, medium, guided	034.261								
7	BLT Drill Ø2.8 mm, long, guided	034.262								
8	BLT Drill Ø3.5 mm, short, guided	034.263								
9	BLT Drill Ø3.5 mm, medium, guided	034.264								
10	BLT Drill Ø3.5 mm, long, guided	034.265								
11	BLT Drill Ø4.2 mm, short, guided	034.266								
12	BLT Drill Ø4.2 mm, medium, guided	034.267								
13	BLT Drill Ø4.2 mm, long, guided	034.268								
14	BLT Profile Drill Ø3.3 mm, guided	034.269								
15	BLT Profile Drill Ø4.1 mm, guided	034.270								
16	BLT Profile Drill Ø4.8 mm, guided	034.271								
17	BLT Tap, Ø3.3 mm, guided	034.272								
18	BLT Tap, Ø4.1 mm, guided	034.273								
19	BLT Tap, Ø4.8 mm, guided	034.274								
20	Mucosa Punch, guided	<table border="1"> <tr> <td>Ø3.4 mm</td> <td>034.010</td> </tr> <tr> <td>Ø4.0 mm</td> <td>034.011</td> </tr> <tr> <td>Ø4.7 mm</td> <td>034.012</td> </tr> </table>	Ø3.4 mm	034.010	Ø4.0 mm	034.011	Ø4.7 mm	034.012		
Ø3.4 mm	034.010									
Ø4.0 mm	034.011									
Ø4.7 mm	034.012									
21	Template Fixation Pin	<table border="1"> <tr> <td>Ø2.8 mm / Ø2.8 mm</td> <td>034.256</td> </tr> <tr> <td>Ø5 mm / Ø2.8 mm</td> <td>034.255</td> </tr> <tr> <td>Ø5 mm / Ø3.5 mm</td> <td>034.455</td> </tr> <tr> <td>Ø5 mm / Ø4.2 mm</td> <td>034.655</td> </tr> </table>	Ø2.8 mm / Ø2.8 mm	034.256	Ø5 mm / Ø2.8 mm	034.255	Ø5 mm / Ø3.5 mm	034.455	Ø5 mm / Ø4.2 mm	034.655
Ø2.8 mm / Ø2.8 mm	034.256									
Ø5 mm / Ø2.8 mm	034.255									
Ø5 mm / Ø3.5 mm	034.455									
Ø5 mm / Ø4.2 mm	034.655									
22	Adapter for Ratchet	<table border="1"> <tr> <td>extra short</td> <td>046.460</td> </tr> <tr> <td>short</td> <td>046.461</td> </tr> <tr> <td>long</td> <td>046.462</td> </tr> </table>	extra short	046.460	short	046.461	long	046.462		
extra short	046.460									
short	046.461									
long	046.462									
23	Adapter for handpiece	<table border="1"> <tr> <td>extra short</td> <td>046.470</td> </tr> <tr> <td>short</td> <td>046.471</td> </tr> <tr> <td>long</td> <td>046.472</td> </tr> </table>	extra short	046.470	short	046.471	long	046.472		
extra short	046.470									
short	046.471									
long	046.472									
24	Connector for Ratchet	034.005								
25	–	Extra holders can be used for screw drivers, adapters, etc.								

Set-up for Bone Level (BL) Implant Line



No.	Article	Art. No.								
1	Milling Cutters, guided	<table border="1"> <tr> <td>Ø2.8 mm</td> <td>034.215</td> </tr> <tr> <td>Ø3.5 mm</td> <td>034.415</td> </tr> <tr> <td>Ø4.2 mm</td> <td>034.615</td> </tr> </table>	Ø2.8 mm	034.215	Ø3.5 mm	034.415	Ø4.2 mm	034.615		
Ø2.8 mm	034.215									
Ø3.5 mm	034.415									
Ø4.2 mm	034.615									
2	Pilot Drill Ø2.2 mm, short, guided	034.123								
3	Pilot Drill Ø2.2 mm, long, guided	034.126								
4	Pilot Drill Ø2.2 mm, extra-long, guided	034.129								
5	Twist Drill PRO Ø2.8 mm, short, guided	034.223								
6	Twist Drill PRO Ø2.8 mm, long, guided	034.226								
7	Twist Drill PRO Ø2.8 mm, extra-long, guided	034.229								
8	Twist Drill PRO Ø3.5 mm, short, guided	034.423								
9	Twist Drill PRO Ø3.5 mm, long, guided	034.426								
10	Twist Drill PRO Ø3.5 mm, extra-long, guided	034.429								
11	Twist Drill PRO Ø4.2 mm, short, guided	034.623								
12	Twist Drill PRO Ø4.2 mm, long, guided	034.626								
13	Twist Drill PRO Ø4.2 mm, extra-long, guided	034.629								
14	BL/NNC Profile Drill Ø3.3 mm, guided	026.2503								
15	BL Profile Drill Ø4.1 mm, guided	026.4503								
16	BL Profile Drill Ø4.8 mm, guided	026.6503								
17	BL/TE/NNC Tap for handpiece Ø3.3 mm, guided	026.2510								
18	BL/TE Tap for handpiece Ø4.1 mm, guided	026.4510								
19	BL/TE Tap for handpiece Ø4.8 mm, guided	026.6510								
20	Mucosa Punches, guided	<table border="1"> <tr> <td>Ø3.4 mm</td> <td>034.010</td> </tr> <tr> <td>Ø4.0 mm</td> <td>034.011</td> </tr> <tr> <td>Ø4.7 mm</td> <td>034.012</td> </tr> </table>	Ø3.4 mm	034.010	Ø4.0 mm	034.011	Ø4.7 mm	034.012		
Ø3.4 mm	034.010									
Ø4.0 mm	034.011									
Ø4.7 mm	034.012									
21	Template Fixation Pins	<table border="1"> <tr> <td>Ø2.8 mm / Ø2.8 mm</td> <td>034.256</td> </tr> <tr> <td>Ø5 mm / Ø2.8 mm</td> <td>034.255</td> </tr> <tr> <td>Ø5 mm / Ø3.5 mm</td> <td>034.455</td> </tr> <tr> <td>Ø5 mm / Ø4.2 mm</td> <td>034.655</td> </tr> </table>	Ø2.8 mm / Ø2.8 mm	034.256	Ø5 mm / Ø2.8 mm	034.255	Ø5 mm / Ø3.5 mm	034.455	Ø5 mm / Ø4.2 mm	034.655
Ø2.8 mm / Ø2.8 mm	034.256									
Ø5 mm / Ø2.8 mm	034.255									
Ø5 mm / Ø3.5 mm	034.455									
Ø5 mm / Ø4.2 mm	034.655									
22	Adapter for Ratchet	<table border="1"> <tr> <td>extra short</td> <td>046.460</td> </tr> <tr> <td>short</td> <td>046.461</td> </tr> <tr> <td>long</td> <td>046.462</td> </tr> </table>	extra short	046.460	short	046.461	long	046.462		
extra short	046.460									
short	046.461									
long	046.462									
23	Adapter for handpiece	<table border="1"> <tr> <td>extra short</td> <td>046.470</td> </tr> <tr> <td>short</td> <td>046.471</td> </tr> <tr> <td>long</td> <td>046.472</td> </tr> </table>	extra short	046.470	short	046.471	long	046.472		
extra short	046.470									
short	046.471									
long	046.472									
24	Connector for Ratchet	034.005								
25	Extra holders can be used for screw drivers, adapters, etc.	–								

International Headquarters

Institut Straumann AG
Peter Merian-Weg 12
CH-4002 Basel, Switzerland
Phone +41 (0)61 965 11 11
Fax +41 (0)61 965 11 01

Straumann North American Headquarters

Straumann USA, LLC
60 Minuteman Road
Andover, MA 01810
Phone 800/448 8168 (US) • 800/363 4024 (CA)
Fax 978/747 2490
www.straumann.us • www.straumann.ca